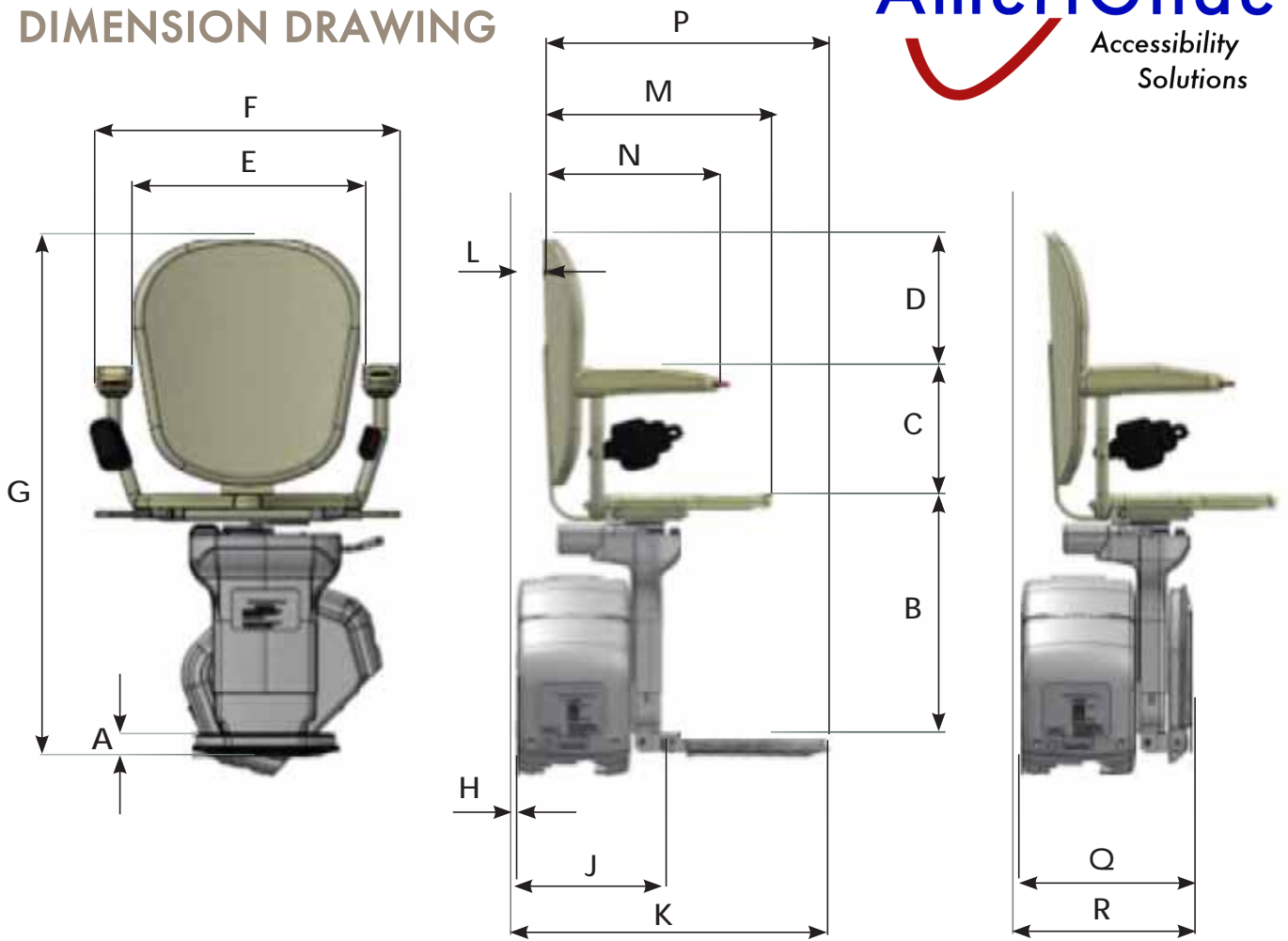


HORIZON

DIMENSION DRAWING



Platinum Horizon		in
A	Footrest Depth	1.6
B	Top of footrest to top of seat	18.3
C	Top of seat to top of arms	9.4
D	Top of arms to top of seat back	10.1
E	Width between armrests	17.9
F	Overall width	23.5
G	Overall height	41.1
H	Back of roller chassis to stringer	0.4
J	Front of carriage to stringer	11.6
K	Front of lowered footrest to stringer	25
L	Back of seat to stringer	1.6
M	Back of seat to extent of seat pad	17.9
N	Back of seat to end of armrest	13.8
P	Back of seat to end of footrest	23.4
Q	Stringer to folded footrest	13.4
R	Back of roller chassis to folded footrest	13

HORIZON

DIMENSION DRAWING

